


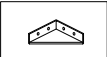



# ALUMINIUM AIR CONDITIONER SCREEN

## ASSEMBLY INSTRUCTIONS

Models: Capri  
Harmony



### Included in this box:

-  8 Phillips head screws for the 2 triangle brackets (Stainless Steel)
-  6 Hex head screw bolt and nut for the top panel (Stainless Steel)
-  4 Rubber mounts (Stainless Steel Bolt)
-  2 Aluminium triangle braces (Aluminium)
-  1 Three hinged sides air conditioner screen (Aluminium)

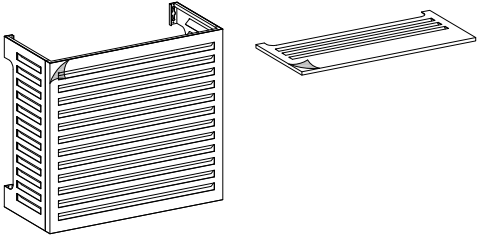
### Not Included in this box:

-  1 Top panel of air conditioner screen - please see Box 2 of 2

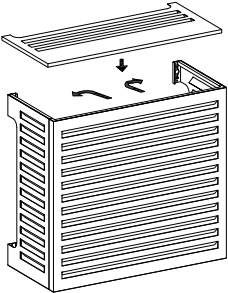
### Tools required:

-  Phillips head screw driver
-  Allen key

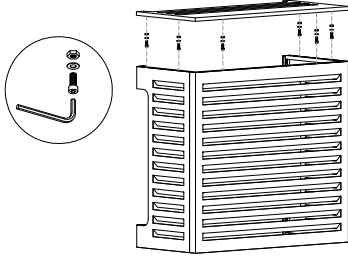
**STEP 01** Remove all protective film



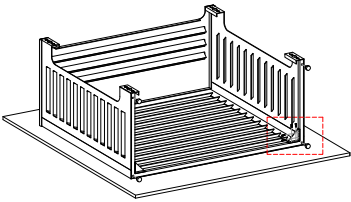
**STEP 02** Open hinged sides & place top into position



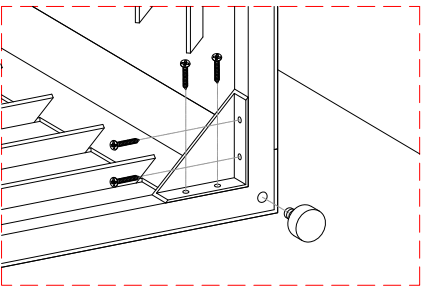
**STEP 03** Secure top to base with bolts provided using an Allen key



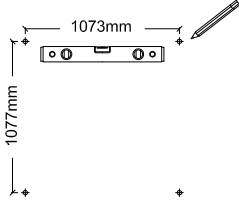
**STEP 04** Lay the screen on its front (use the box to avoid scratching) add rubber feet and bolt the angle brackets to the bottom corners



**STEP 05**



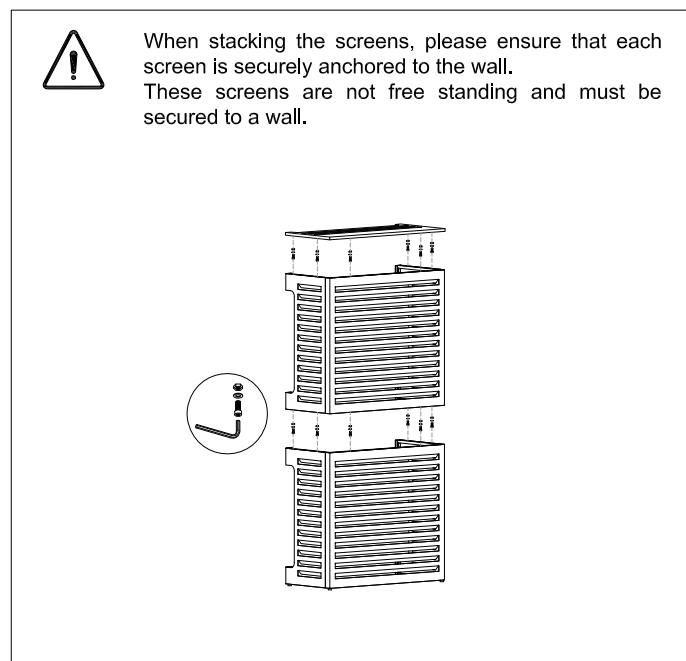
**STEP 06** Mark the wall according to the size chart and hang screen to wall



Size	Across	Down
Small	1073mm	677mm
Medium	1073mm	877mm
Large	1073mm	1077mm

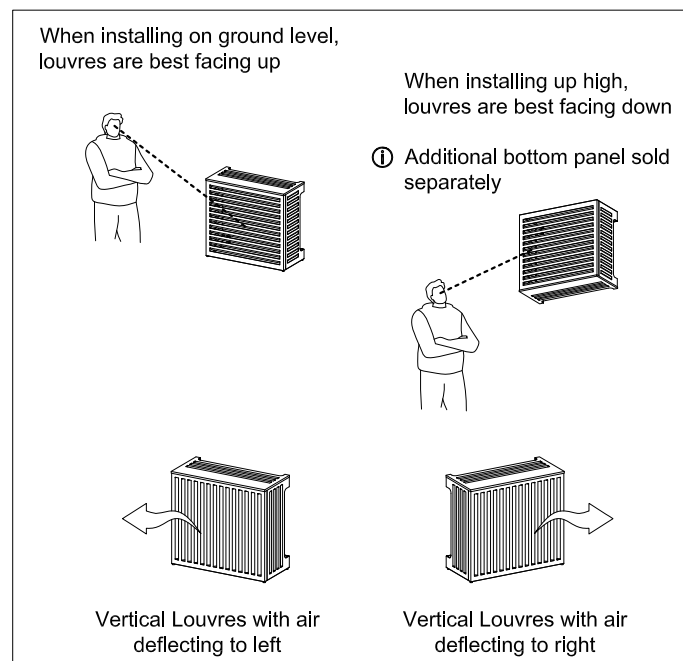
## STACKING

To attach one screen to another, please use the 6 Hex head screw bolts and nuts provided.



## AIR DIRECTION AND VISIBILITY

The air conditioner screens can be assembled with the louvres facing in either direction depending on your preference



## WARNINGS

- Assembly should be carried out by a qualified person. Incorrect assembly may lead to the screen falling and causing injury or damage. As wall materials vary, wall anchors have not been included. For advice on suitable screw systems, contact your local hardware store.
- Do not move your condenser unit or any pipes. Any movement can cause the refrigerant to leak.
- The parts may have sharp edge. Wear cut-resistant work gloves during installation
- Do not sit on the screens
- To avoid the obstruction of airflow, ALWAYS keep the louvre openings free from debris and regularly remove build up around the unit such as dirt, leaves and grass clippings

## MAINTENANCE

- The air conditioner screen is free of maintenance under normal conditions.
- Clean the product with water and a neutral cleaning agent at least twice a year to keep the screen in optimal condition
- To remove the screen, slightly loosen the bolts and unhook the screen of the wall

## FURTHER INFORMATION

- More information can be found on our website [www.outdoorscreens.com.au](http://www.outdoorscreens.com.au).
- If you would like to speak to somebody, please call during office hours (07) 549 777 66.