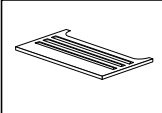

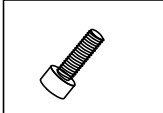

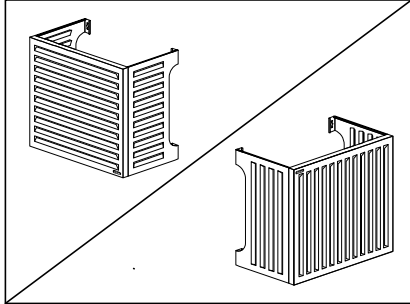
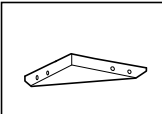
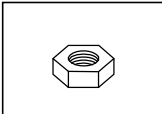
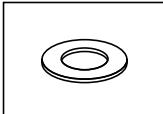


AIR CONDITIONER SCREEN

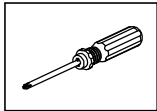
ASSEMBLY INSTRUCTIONS

CONTENTS

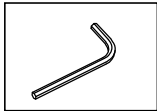
BOX 1 (Small Box)					BOX 2 (Larger Box)	
	1 TOP PANEL	8 PHILLIPS HEAD SCREWS	6 HEX HEAD SCREWS	4 RUBBER MOUNTS		
						
	2 TRIANGULAR BRACES	10 NUTS	10 WASHERS			3 PANEL BASE

REQUIREMENTS

TO ASSEMBLE THE ALUMINIUM AIR CONDITIONER SCREEN,
YOU WILL REQUIRE



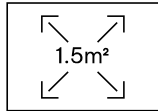
PHILLIPS HEAD SCREW DRIVER



ALLEN KEY



1 PERSON

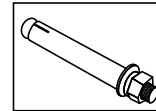


1.5m² ASSEMBLY AREA



10 MINUTES ASSEMBLY TIME

TO ATTACH THE SCREEN TO THE WALL,
YOU WILL REQUIRE



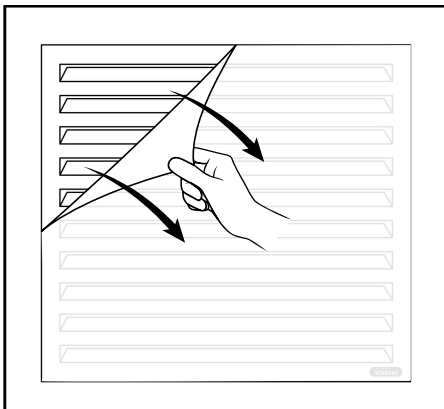
4 WALL ANCHORS

IMPORTANT

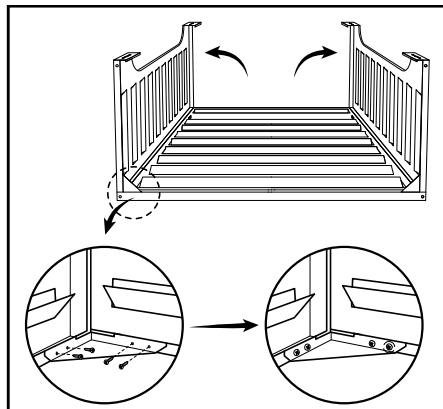
Please research and purchase the correct wall anchors based on your wall type/material and consider the screen's weight if installing off the ground. Fix the wall anchors as per the manufacturer's instructions.

Total weight fully assembled (4 panels)

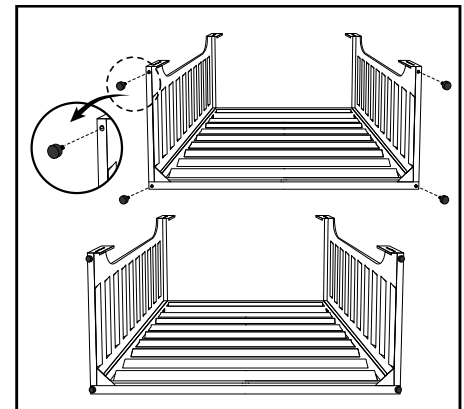
Narrow small	13kg
Narrow Medium	15kg
Small	14kg
Medium	17kg
Large	20kg



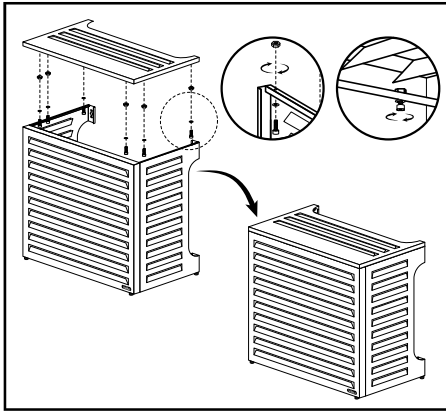
STEP 1: Peel off all protective film from the aluminium panels. To avoid scratching, place the screen on the flattened cardboard packaging.



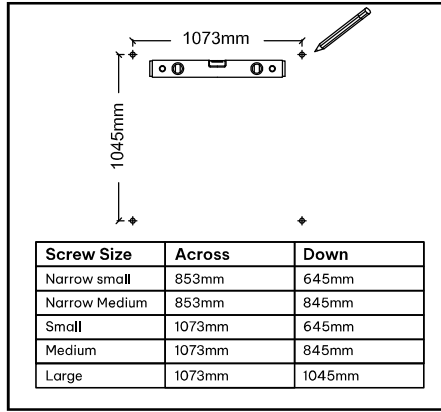
STEP 2: Position the screen with the front panel facing down. Lift one hinged side panel at a time and attach the triangular braces to the bottom corners using the Phillips head screws provided. For guidance on louvre orientation, refer to the AIR DIRECTION AND VISIBILITY.



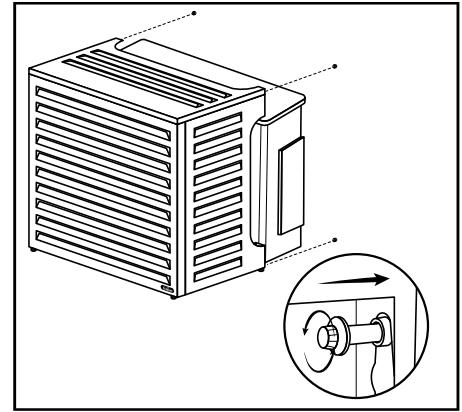
STEP 3: If the screen will be mounted on the ground, fit the rubber mounts using the provided nuts and washers.



STEP 4: Align the top panel with the 3-panel base and secure it using the hex head screws, nuts, and washers supplied. Use an Allen key to tighten the screws.



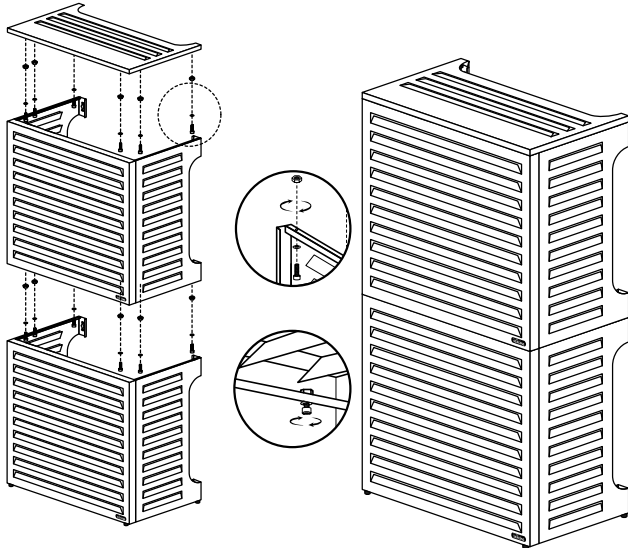
STEP 5: Mark the wall according to the size chart provided and install suitable wall anchors (not included). Screw the bolts in nearly all the way, leaving a 3mm gap to fit the 2mm thickness of the aluminium.



STEP 6: Once the wall anchors are securely installed, hang the screen by lifting it and slotting the wall bolts into the eyelet cutouts on the back of the screen. Tighten the wall bolts securely.

STACKING

To stack screens, assemble each unit separately but omit the top panel of the bottom screen. Do not install the rubber mounts on the top screen. Use the 6 hex head screws, washers, and nuts provided to secure the screens together.



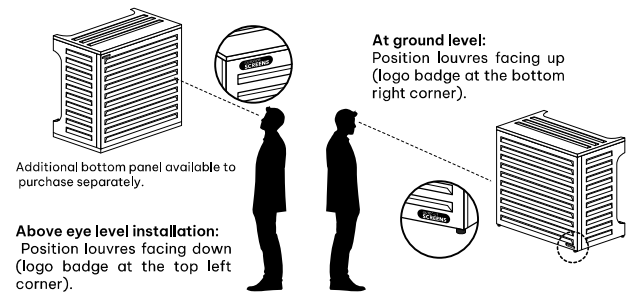
IMPORTANT

When stacking screens, ensure each screen is firmly anchored to the wall. These screens are not free-standing and must be securely anchored to a suitable wall to ensure safety and stability.

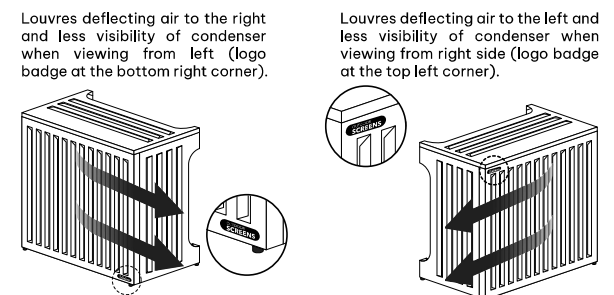
AIR DIRECTION AND VISIBILITY

When viewing the screen front on:

HARMONY AIR CONDITIONER SCREEN (Horizontal Louvres)



CAPRI AIR CONDITIONER SCREEN (Vertical Louvres)



WARNINGS

- Assembly should be carried out by a qualified person. Incorrect installation may result in the screen falling, causing injury or damage.
- Wall anchors are not included due to the variety of wall materials. Ensure you use appropriate anchors for your wall type.
- Avoid any movement of your condenser unit or to any pipes, as this may cause refrigerant leaks.
- The aluminium screen may have sharp edges. Wear cut-resistant gloves during installation.
- Do not sit on the screens.
- To prevent airflow obstruction, keep the louvre openings free from debris or decor. Regularly remove dirt, leaves, and grass clippings from around the unit.

MAINTENANCE

- The screen requires minimal maintenance under normal conditions.
- Clean with water and a neutral detergent as needed.
- To remove the screen, slightly loosen the bolts, lift, and unhook the screen from the wall anchors.

Additional information and instructional videos are available on our website www.outdoorscreens.com.au
For further assistance or queries, please contact our office on 07 549 777 66.

OUTDOOR
SCREENS
.com.au